

Legend

Search

Select

Measure

Shape

- Draw On Map
- Import Coordinates
- Edit Coordinates
- Advanced Tools

Coordinate System: PCS Web Mercator Auxiliary Sphere (WG

Calculated Area: 1847.9385 ac

Parts: Part 1

Area: 1847.9385 ac

	North (y)	East (x)
1	4315878.53	7957880.23
2	4315790.15	7958975.43
3	4315348.25	7959134.28
4	4310535.70	7956497.20
5	4310984.77	7955293.31

M Asif

Key link Communication

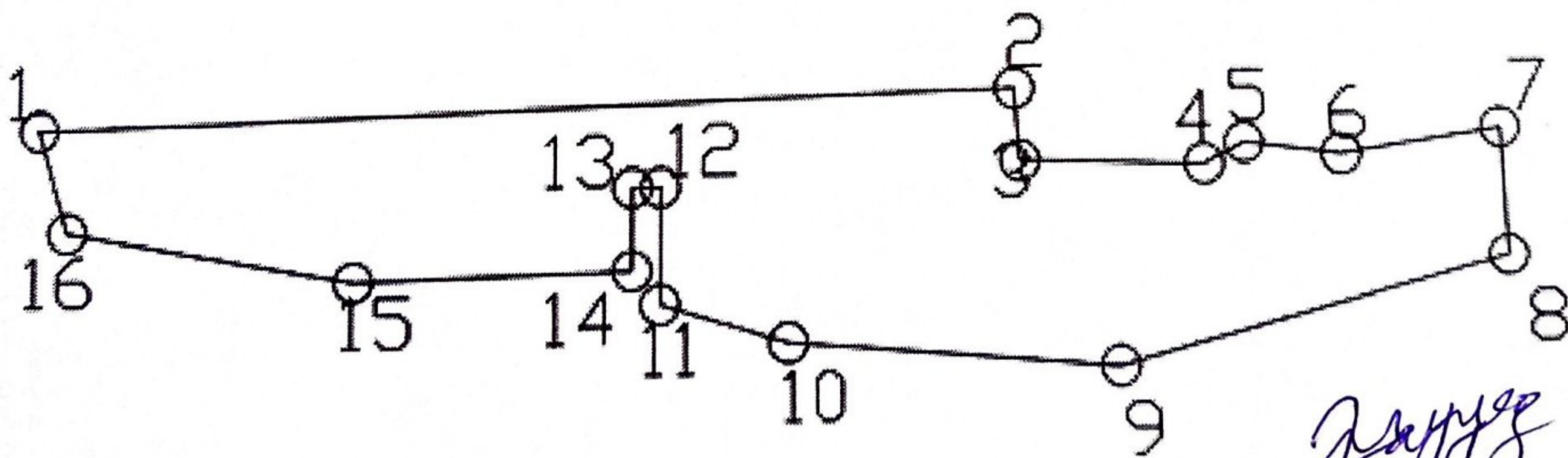
36°02'50" N 71°28'55" E



# SKETCH SHOWING THE AREA APPLIED FOR LATERITE NEAR VILLAGE PARRA DISTRICT NOWSHERA

S.NO	EASTING	NORTHING
1.	3122190	1072991
2.	3125002	1073074
3.	3125017	1072872
4.	3125545	1072858
5.	3125660	1072917
6.	3125938	1072882
7.	3126390	1072951
8.	3126405	1072594
9.	3125294	1072300
10.	3124348	1072375
11.	3123980	1072484
12.	3123979	1072810
13.	3123900	1072810
14.	3123900	1072578
15.	3123103	1072557
16.	3122278	1072703

**TOTAL AREA = 510.97 ACRES**



*Fajjiz*  
 BM GENERAL ORDER SUPPLIERS  
 (PRIVATE) LIMITED

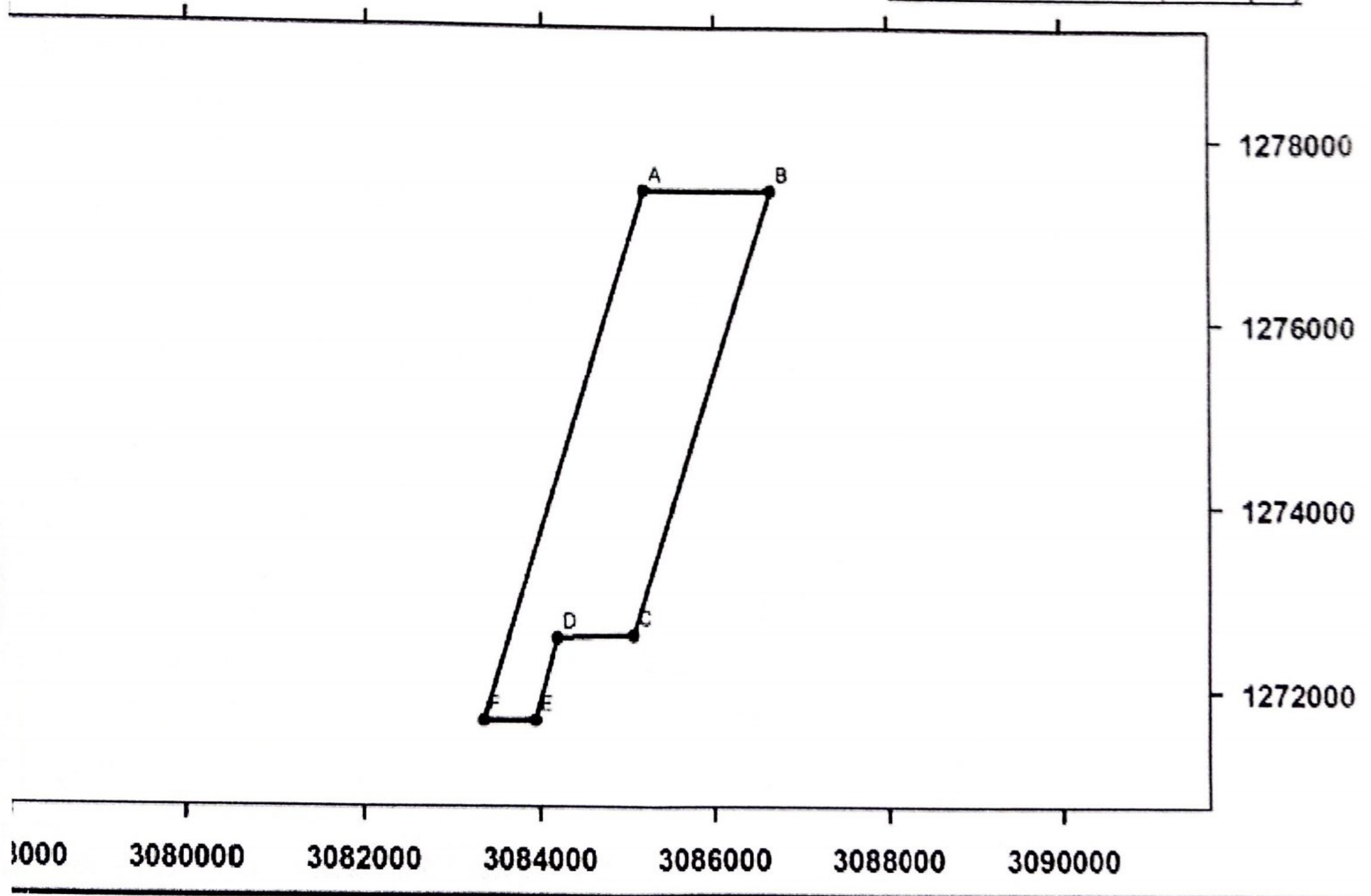


PLAN SHOWING THE AREA RESERVED FOR AUCTION  
MARBLE NEAR VILLAGE DALGRAM / GAHIRATGOL  
DISTRICT CHITRAL

COORDINATES		
S_No	Easting	Northing
A	3085187	1277418
B	3086659	1277418
C	3085068	1272590
D	3084198	1272561
E	3083943	1271676
F	3083358	1271676
TOTAL AREA = 1857 ACRES		

HEET NO:- 43 M-14

SCALE = 1 : 50,000 (M)



*Hamid Ihsan*  
*Sadaat coal Dealer*



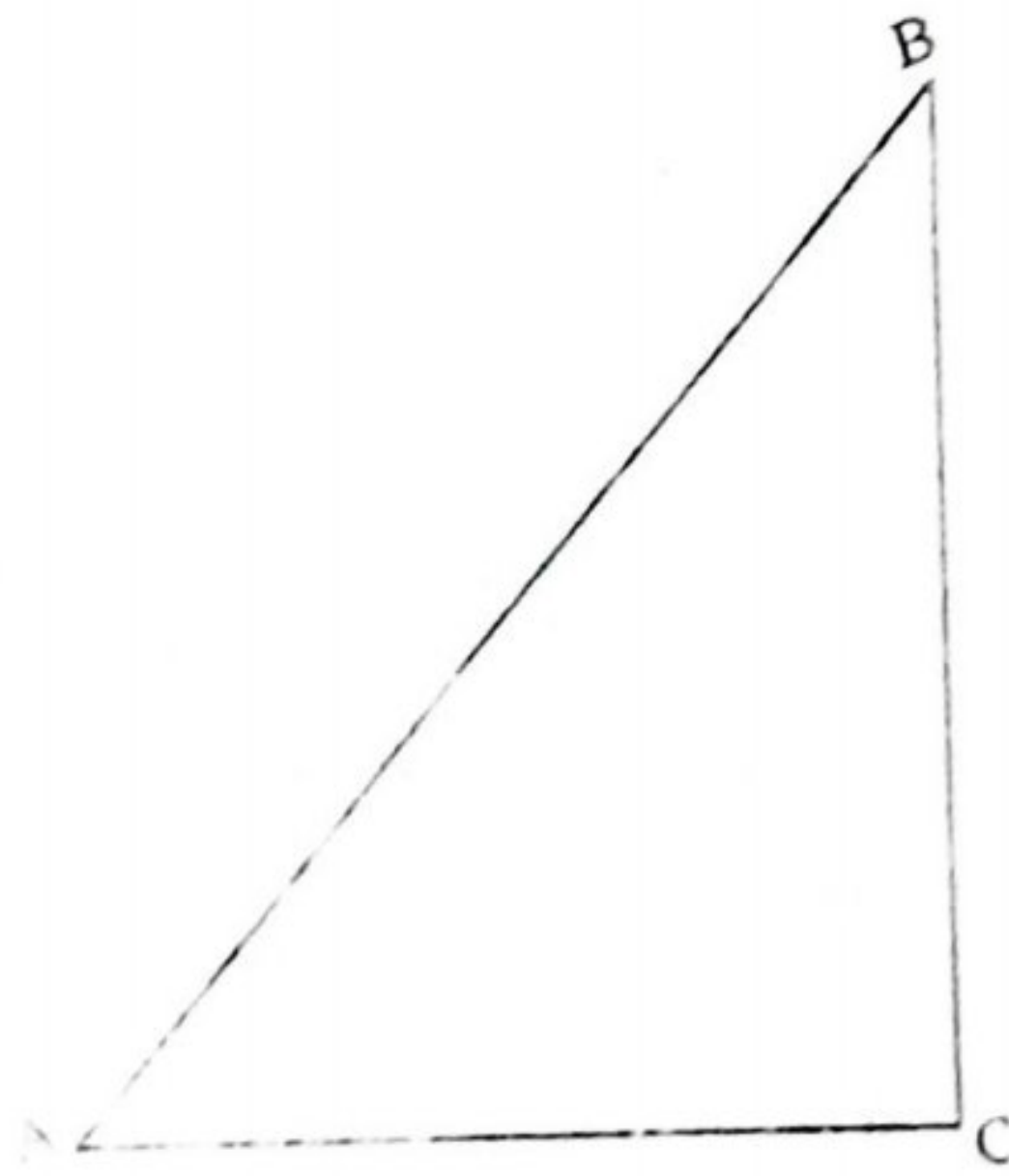
DGMM/HR/ML BARYTE (0420)/2022

RESERVED FOR AUCTION

NEAR VILLAGE DARWAZA/KAG

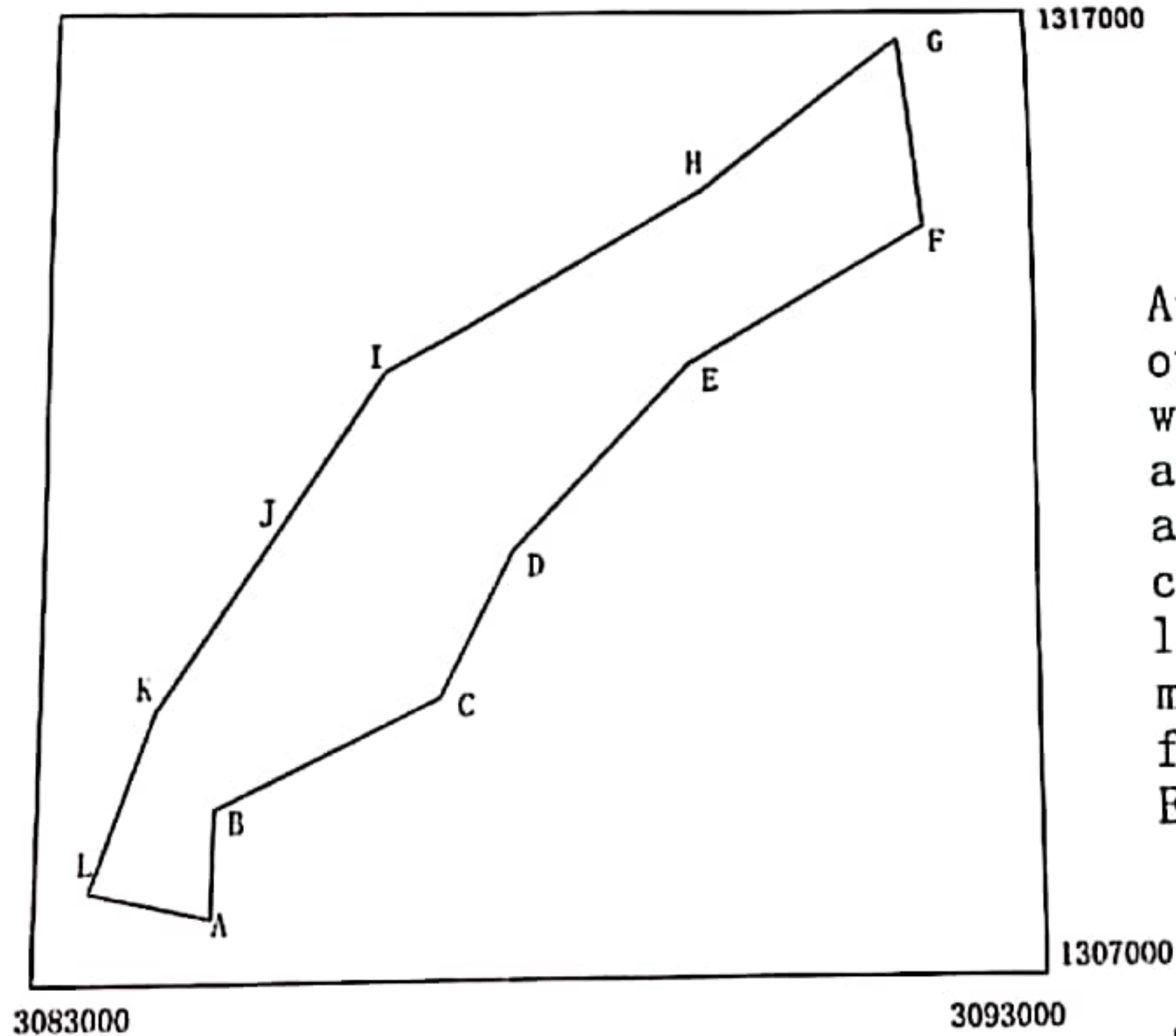
EASTING	NORTHING
3198928.06	1100023.07
3199877.40	1101201.97
3199930.02	1100023.15

TOTAL AREA 145.95 ACRES



Shahzad Ahmad Gujjar

Sheet No. 37P&38M (M)		
S/No	Northing(Y)	Easting(X)
A	1307667	3083370
B	1309464	3083984
C	1312944	3086241
D	1313379	3087026
E	1314827	3089161
F	1316464	3091508
G	1314410	3091726
H	1312993	3089310
I	1311069	3087539
J	1309572	3086812
K	1308171	3084585
L	1307102	3081573



### Target Area for Mining Lease

After Completion of exploration works, the target area has confirmed as per the coordinators data list with this map. The Target is from the 162 SQKM EL area.

Fig 23

Total Area is 4806 ACRES

Tuny Pak Minerals (Pvt.) Limited		
Surveyor		Target Area for ML Application
Designer		
Approval		

267